

Revision Notes.				
R1 -				
APA: -	Drawn:-	Checked:-	Approved:-	Date: -

CHANGES FROM BASE PRODUCT CS-3100-ECU (5259) TO CS-3100T-ECU (5850)

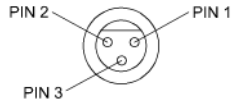
CHANGE:

1. SWITCHED GROUND OUTPUT TRIGGER ADDED TO ECU
2. CS-3100-ECU PD-LBL REPLACED WITH CS3100T-ECU PD-LBL

OPERATION:

GROUND OUTPUT ON BLACK WIRE OPERATES DURING DETECTION (MAX CURRENT 250mA)

VIEW A



3 PIN MALE MATING FACE

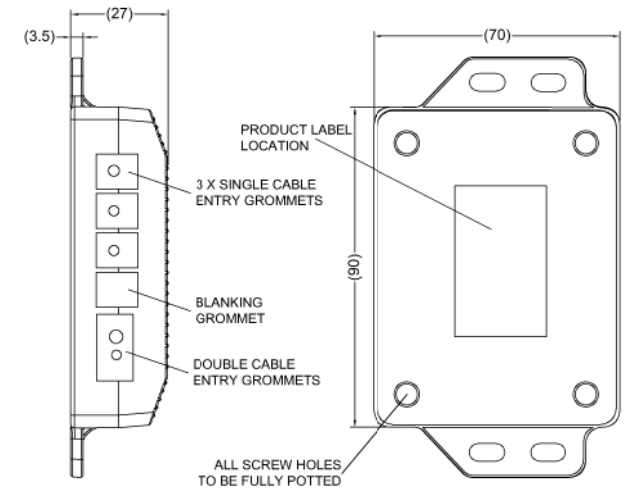
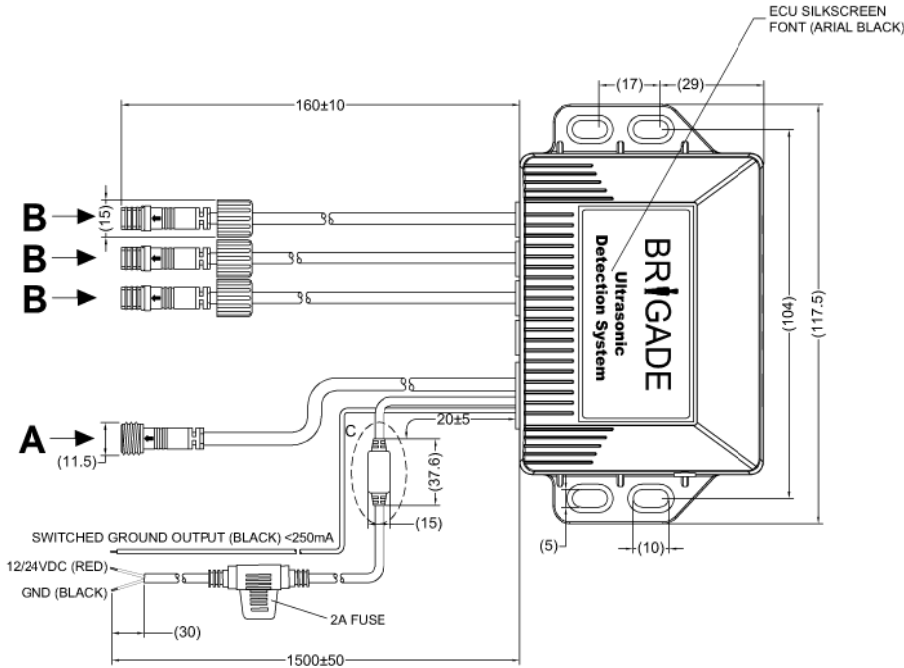
PIN #	WIRE COLOUR	DESCRIPTION
1	BLACK	GND
2	RED	BUZZER POWER
3	WHITE	BUZZER SIGNAL

VIEW B

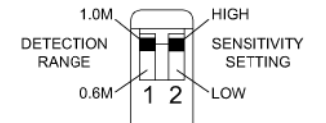


2 PIN FEMALE MATING FACE

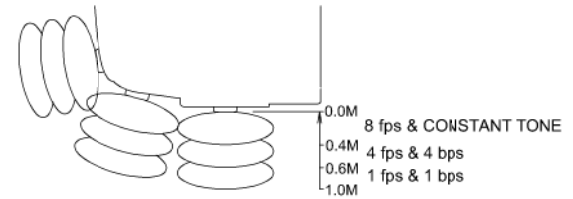
PIN #	WIRE COLOUR	DESCRIPTION
1	BLACK	GND
2	RED	SENSOR SIGNAL



DIP SWITCH CONFIGURATION



(DEFAULT CONFIGURATION)



NOTES:

1. SOFTWARE VERSION: corner11hex.
2. ECU HOUSING IS ABS PLASTIC.
3. ECU FINISH IS TEXTURED BLACK PLASTIC, SILKSCREEN MUST BE WHITE.
4. SENSOR ENTRY POINTS IF NOT USED MUST BE FILLED WITH A BLANKING GROMMET.
5. THIS ECU IS NOT WATER RESISTANT AND MUST BE FITTED INSIDE A VEHICLE.
6. FOR PACKAGING & LABELING DETAIL REFER TO THE LATEST REVISION OF THE MASTER BOM.
7. ON START UP THE ECU WILL BEEP ONCE FOR ONE FAULTY SENSOR, TWICE FOR TWO FAULTY SENSORS ETC.
8. ALL AUDIBLE WARNINGS ARE MEASURED IN BEEPS PER SECOND (bps).
9. ALL VISUAL WARNINGS ARE RED AND ARE MEASURED IN FLASHES PER SECOND (fps).

PROPRIETARY NOTICE

THIS DESIGN AND TECHNICAL INFORMATION APPEARING ON THIS DRAWING IS THE PROPERTY OF BRIGADE ELECTRONICS, AND IS DISCLOSED IN CONFIDENCE. IT IS NOT TO BE COPIED, REPRODUCED, REVEALED TO OR EXPROPRIATED BY OTHERS, EITHER IN WHOLE OR IN PART WITHOUT THE EXPRESS WRITTEN CONSENT OF BRIGADE ELECTRONICS.



Assembly PI Approval A. YAO	Approved by B. CHILDS	Checked by J. STUART	Drawn by A. FOSTER
Angle of Projection	Units mm	Scale N/A	Released 04/07/19
Third Angle	Status RELEASED	Assembly Ref CS-3100T-ECU	
	Part No 5850	BE-004088-00-19	